



CQE15S

Electric Stacker 1.5t

Special Design For Narrow Aisle and Non-standard Pallets

EP EQUIPMENT CO.,LTD
ep-ep.by



FEATURE

Performance

- The innovative AC system offers strong power, accurate control, excellent performance.
- High strength vertical gearbox, longer working life.
- Low-noise but durable hydraulic unit, good quality cylinder as well as hose ensure the high reliability of hydraulic system.
- AMP connector and durable electric wires greatly reduce malfunctions of components.
- CJ shape mast channel improves the strength of the whole truck.
- Applied with electric valve on & better heat releasing systems support long time operation.

Safety

- Safe hydraulic system design prevents mast from falling down abruptly when hydraulic pipeline cuts off.
- Emergency reverse belly button protects the operator from getting hurt.
- Emergency disconnecter will cut off power source to avoid accident when truck goes out of control.
- Multiple lifting limit protection ensures safety.
- Automatic switch to lower speed when the fork reaches its setting height.
- Anti-rolling back brake keeps the truck from skidding down when truck is out of control or travelling on ramp.
- Electric valve will be locked up when power is cut off.
- Dual monitoring power steering.

Operation

- With the new design of ergonomical tiller head, all buttons can be reached conveniently & comfortably.
- Foldable platform reduces vibration which makes operator feel more comfortable.
- Compact design, flexible and operational.
- When platform is folded, truck can work at low speed in smaller space.
- Side-open battery design for easy battery replacement and various applications.
- Electric proportional valve equipped as standard feature.
- Electric power steering, smooth & comfortable (EPS).

Maintenance

- AC traction motor, maintenance free.
- Hour meter and battery indicator remind the operator of battery charging.
- Easily remove the back cover by only losing two bolts; Access to all key components for inspection, maintenance and replacement.
- Vertical motor makes the inspection & service much more convenient.
- Control system allows easy trouble-shooting.
- Low voltage cut off setting protects batteries.



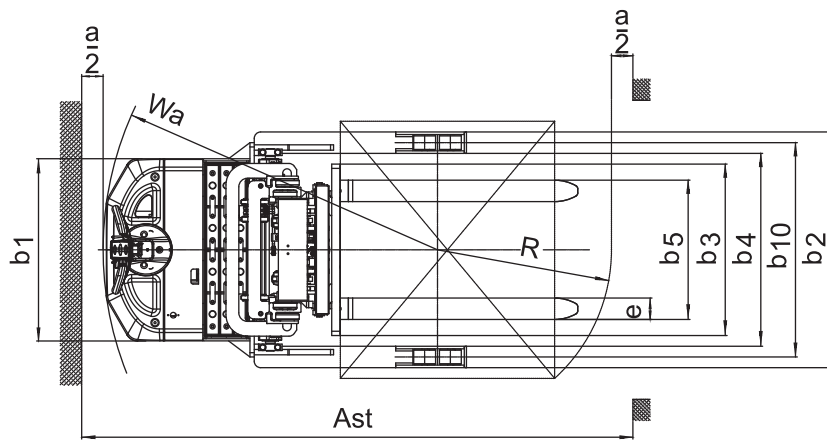
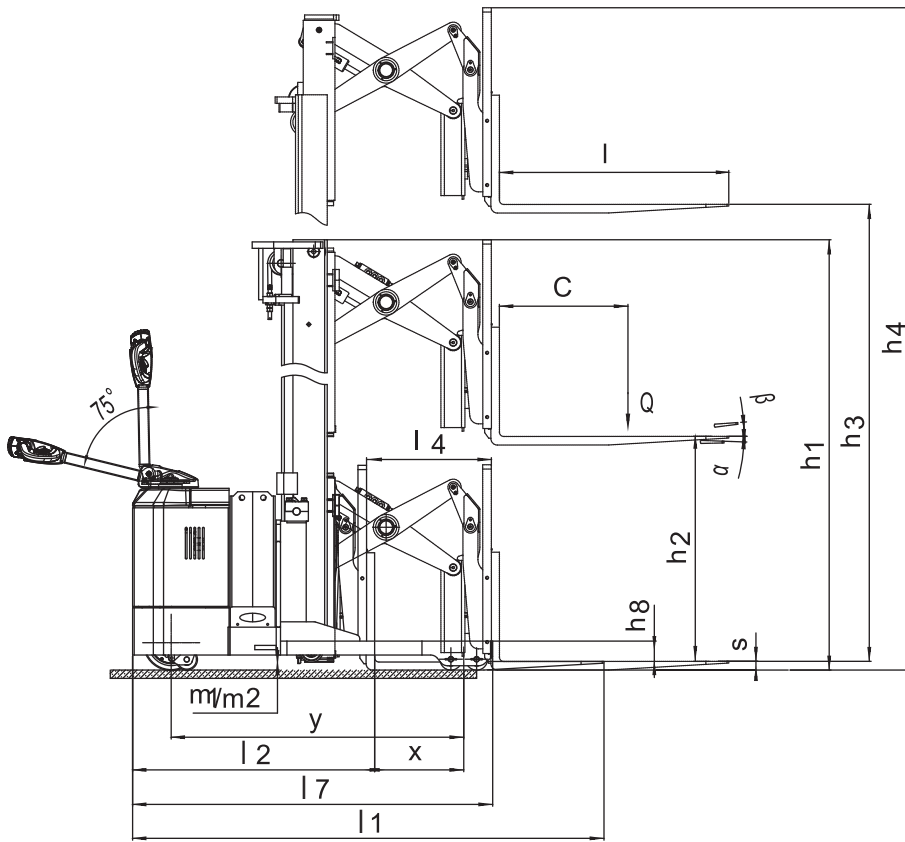
Reach Fork Electric Stacker 1.5t

CQE15S

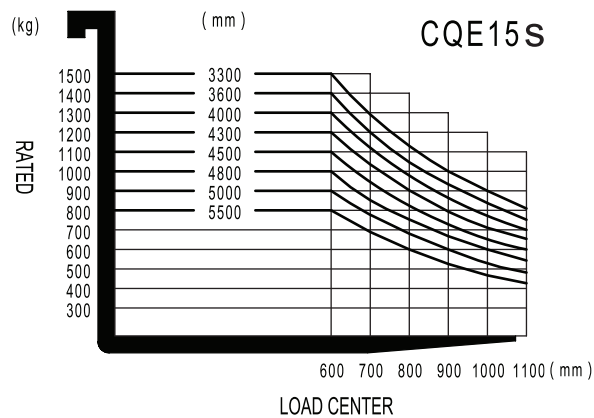
Distinguishing mark				
1.1	Manufacturer			EP
1.2	Model designation			CQE15S
1.3	Drive unit			Battery
1.4	Operator type			standing
1.5	rated capacity	Q	t	1.5
1.6	Load center distance	c	mm	600
1.9	Wheelbase	y	mm	1395
Weight				
2.1	Service weight (include battery)		kg	1865 ^①
2.2	Axle loading, fork advanced, unladen driving side/loading side			1150/715
2.3	Axle loading, fork retracted, unladen driving side/loading side			1250/615
2.4	Axle loading, fork advanced, laden driving side/loading side		kg	310/3055
2.5	Axle loading, fork retracted, laden driving side/loading side		kg	1075/2290
Types, Chassis				
3.1	Tyre type driving wheels/loading wheels			polyurethane/polyurethane
3.2	Tyre size, driving wheels (diameter×width)		mm	Φ260× 105
3.3	Tyre size, loading wheels (diameter×width)		mm	Φ102× 73
3.4	Tyre size, caster wheels (diameter×width)			Φ100× 73
3.5	Wheels, number driving, caster/loading (x=drive wheels)		mm	1×2/4
3.6	Track width, front, driving side	b10	mm	0
3.7	Track width, rear, loading side	b11	mm	1000
Dimensions				
4.1	Tilt of mast/fork carriage forward/backward	α/ β	°	2/4
4.2	Height, mast lowered	h1	mm	2090 ^②
4.3	Free lift (load backrest)	h2	mm	0 ^②
4.4	Lift height	h3	mm	3000 ^②
4.5	Height, mast extended	h4	mm	3960 ^②
4.8	Seat height/standing height	h7	mm	150
4.10	Height of wheel arms	h ₆ (mm)	mm	135
4.19	Overall length (minimum)	l1	mm	2340 ^③
4.20	Length to face of forks	l2	mm	1270
4.21	Overall width	b1/ b2	mm	850/1100
4.22	Fork dimensions	s/ e/ l	mm	40/100/1070
4.23	Fork carriage class/type A, B		mm	A
4.24	Fork carriage width	b3	mm	800
4.25	Outside width of the forks	b5	mm	200-780
4.26	Distance between wheel arms/loading surfaces	b4	mm	900
4.28	Reach distance	l ₄	mm	590
4.31	Ground clearance, laden, below mast	m1	mm	70
4.32	The minimum ground clearance of frame	m2	mm	70
4.34.1	Aisle width for pallets 1000 × 1200 crossways	Ast	mm	2695 ^③
4.34.2	Aisle width for pallets 800 × 1200 lengthways	Ast	mm	2730 ^③
4.35	turning radius	Wa	mm	1690
4.37	Length across wheel arms (exclusive fork)	l ₇	mm	1820
Performance data				
5.1	Travel speed, laden/ unladen		km/ h	5.5/6
5.2	Lifting speed, laden/ unladen		m/ s	0.11/ 0.14
5.3	Lowering speed, laden/ unladen		m/ s	0.24/ 0.24
5.4	Reaching speed, laden / unladen		m/ s	0.12/0.12
5.8	Max. gradeability, laden/unladen		%	6/10
5.10	Service brake type			Electromagnetic
Electric engine				
6.1	Drive motor rating S2 60 min		kW	3.3
6.2	Lift motor rating at S3 15%		kW	3
6.3	The maximum allowed size battery		mm	815×208×630
6.4	Battery voltage/nominal capacity K5		V/ Ah	24/280 ^④
6.5	Battery weight		kg	230 ^④
Addition data				
8.1	Type of drive unit			AC
10.5	Steering type			Electronic
10.7	Sound pressure level at the driver's ear		dB (A)	74

1. The parameters in the table are of the standard model. For more information, please contact us.

2. The parameters are subject to change without notice.



RATED CAPACITIES GRAPH



①Service weight (include battery)

Mast height (mm)	Service weight (kg)
2-stage mast	
CQE 15S	
2700	1855
3000	1865
3300	1875
3600	1885
4000	1895
4300	1905
3-stage mast	
CQE 15S	
3550	2080
4000	2095
4300	2105
4500	2110
4800	2120
5000	2125
5500	2140

②Mast

2-stage mast			
Lift height	Lowered mast height	Free lift	Extended mast height
h3	h1	h2	h4
2700	1940	0	3660
3000	2090	0	3960
3300	2240	0	4260
3600	2390	0	4560
4000	2590	0	4960
4300	2740	0	5260
3-stage mast			
Lift height	Lowered mast height	Free lift	Extended mast height
h3	h1	h2	h4
3550	1800	880	4510
4000	1960	1000	4955
4300	2060	1140	5260
4500	2130	1170	5455
4800	2230	1270	5760
5000	2295	1335	5960
5500	2460	1500	6460

③Dimensions(mm)

CQE 15S			
		2-stage mast	3-stage mast
Overall length (minimum)	l1	2340	2350
Aisle width for pallets 1000×1200 crossways	Ast	2695	2705
Aisle width for pallets 800×1200 lenthways	Ast	2730	2750
Aisle width for pallets 1000×1200 lenthways	Ast	2785	2795
Aisle width for pallets 800×1200 crossways	Ast	2580	2585

④Battery

CQE15S	standard	option	option	option
Capacity (V/ Ah)	280	210	224 (maintenance free battery)	360
Battery weight (kg)	230	190	150	300

Option

Options	CQE15S
Driving pedal	●
Electronic Power steering	●
Battery capacity	●280Ah ○210/224/360Ah
Lateral change battery	●
Cold storage	○
Side shift	○
Front light and warning light	—
Rearview mirror	—
Hummer	—
Height display	—
Camera	—
Fire extinguisher	—
The front wheel side guard	—
Drive-in Rack	—
Seat switch	—
Water auto-fillingsystem	○

Note: ● standard ○ option — NA